

FEHLING...

... THE DIFFERENCE

PC

SET FOR PEDIATRIC
CARDIAC SURGERY

SET FÜR KINDER-
HERZCHIRURGIE



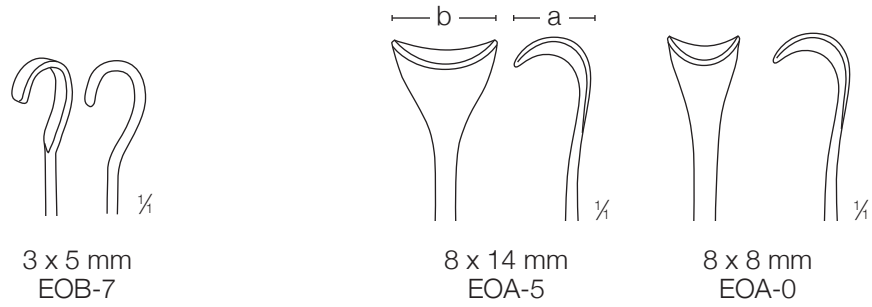
FEHLING
INSTRUMENTS

Hanauer Landstraße 7A · 63791 Karlstein/Germany · www.fehling-instruments.de

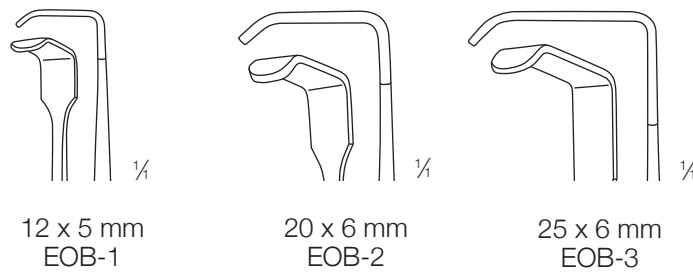
 +49(0) 6188 - 95 74.40  +49(0) 6188 - 95 74.45  info@fehling-instruments.de

CERAMO®

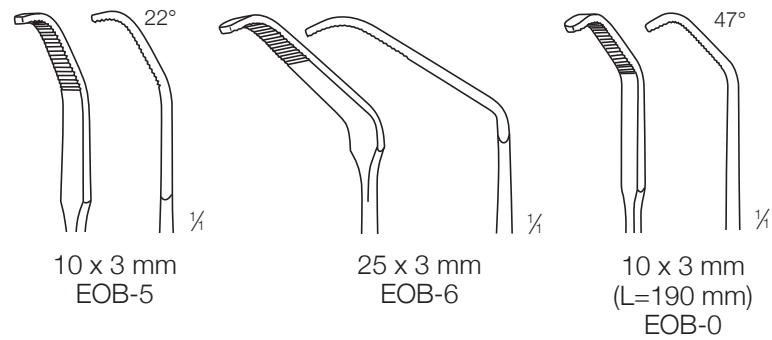
ASD/VSD RETRACTOR
HERZDEFEKTHAKEN



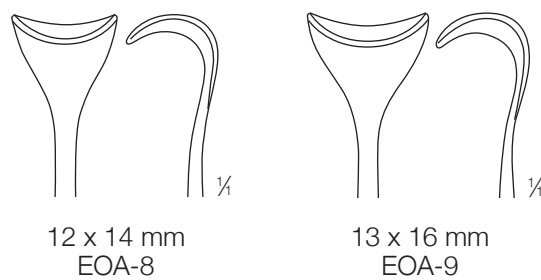
LANGENBECK



ZENKER



MOBERG



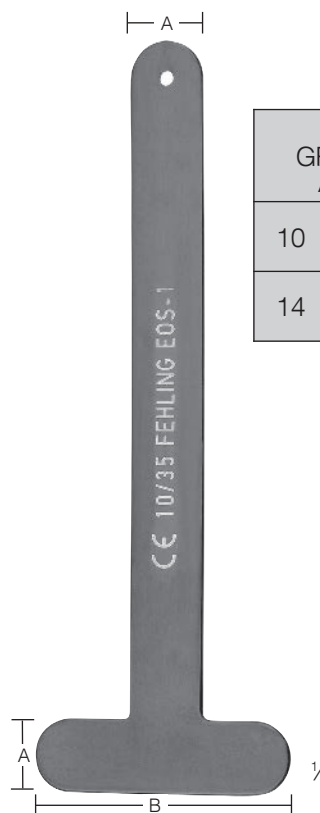
175 mm

BLADE SIZE: DEPTH (a) x WIDTH (b)
BLATTGRÖSSE: TIEFE (a) x BREITE (b)



WIDTH BREITE	
4 mm	EOI-6
8 mm	EOI-7
10 mm	EOI-8
14 mm	EOI-4
16 mm	EOI-5
19 mm	EOI-9
24 mm	EOK-0

CERAMO® SUPERPLAST
SPATULA
SPATEL
180 mm



SIZE GRÖSSE A x B	
10 x 35 mm	EOS-1
14 x 45 mm	EOS-2

CERAMO® SUPERPLAST JAQUISS
ORGAN RETRACTOR
ORGANRETRAKTOR
100 mm

SUPERPLAST instruments are made of shape-memory metal. This metal has unique qualities under different thermal conditions. The instruments are malleable in normal OR temperatures. Soft pressure allows "permanent" deformation of shape according to the surgeon's needs. However in higher temperature, such as those found in the autoclave, the instruments regain their initial shape.

SUPERPLAST Instrumente sind aus Metall mit Formgedächtnis. Sie bieten verschiedene Eigenschaften je nach thermischen Bedingungen. Sie sind bei normaler OP-Temperatur biegsam und können durch sanften Druck in die gewünschte Form gebracht werden. Unter höheren Temperaturen, wie bei der Sterilisation, nehmen sie ihre ursprüngliche Form wieder an.

blades (included)
Blätter (inklusive)



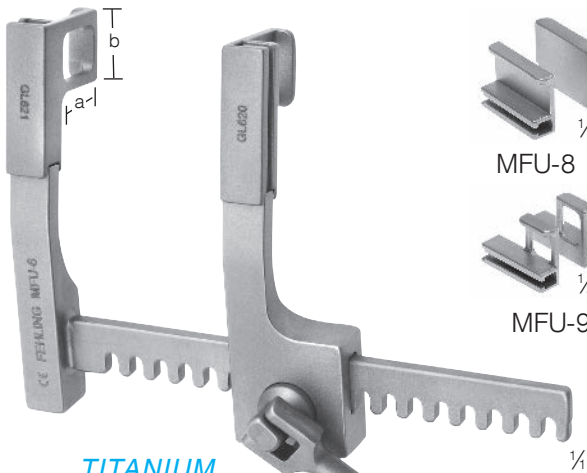
10 x 20 mm (a x b)
(PAIR / PAAR)

MFU-8



10 x 10 mm (a x b)
(PAIR / PAAR)

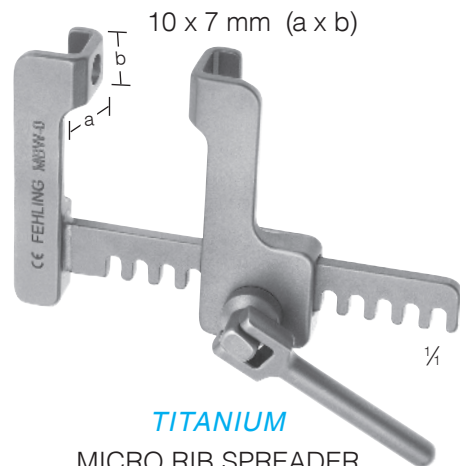
MFU-9



TITANIUM

STERNAL RETRACTOR
STERNUMSPERRER
SPREADING WIDTH = 52 mm
SPREIZWEITE = 52 mm

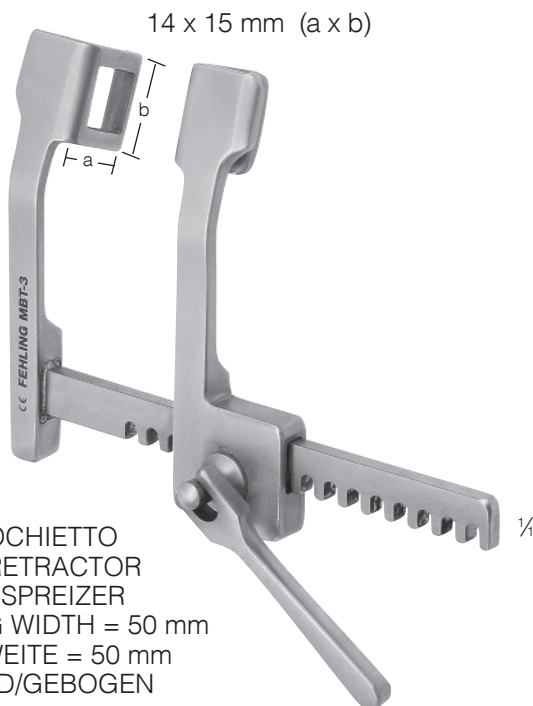
MFU-6



TITANIUM

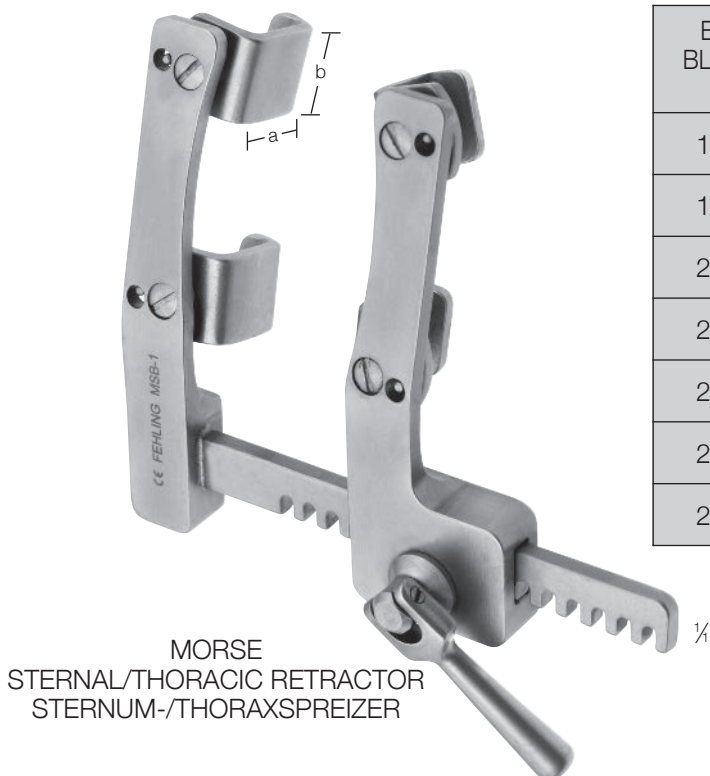
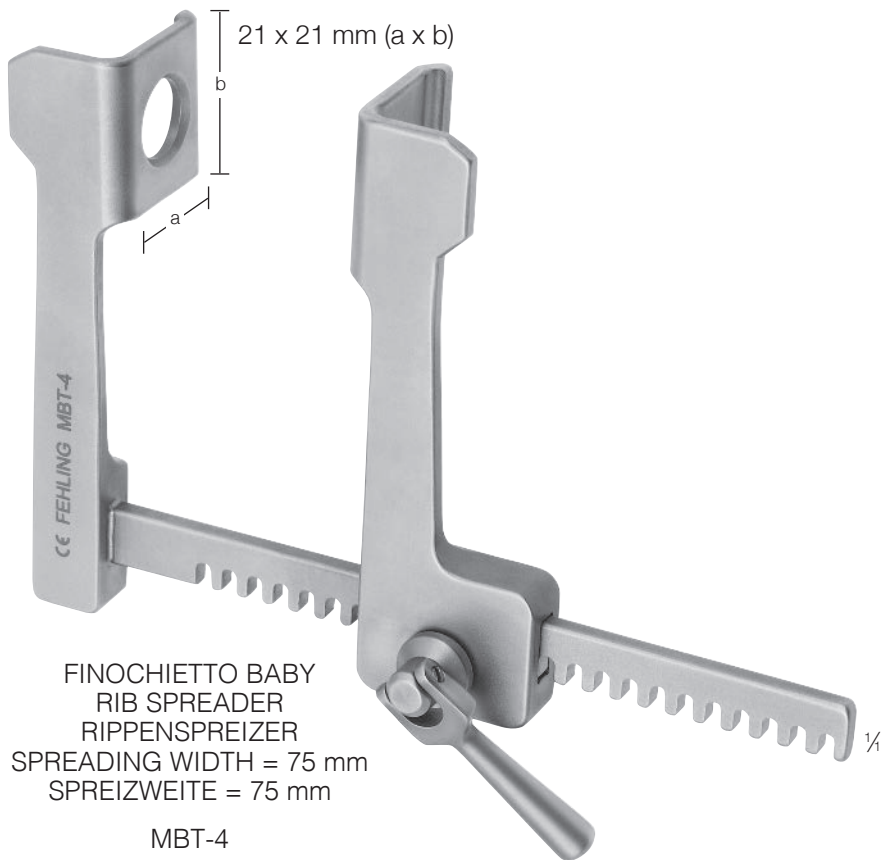
MICRO RIB SPREADER
MIKRORIPPENSPREIZER
SPREADING WIDTH = 30 mm
SPREIZWEITE = 30 mm
STRAIGHT/GERADE

MBW-0

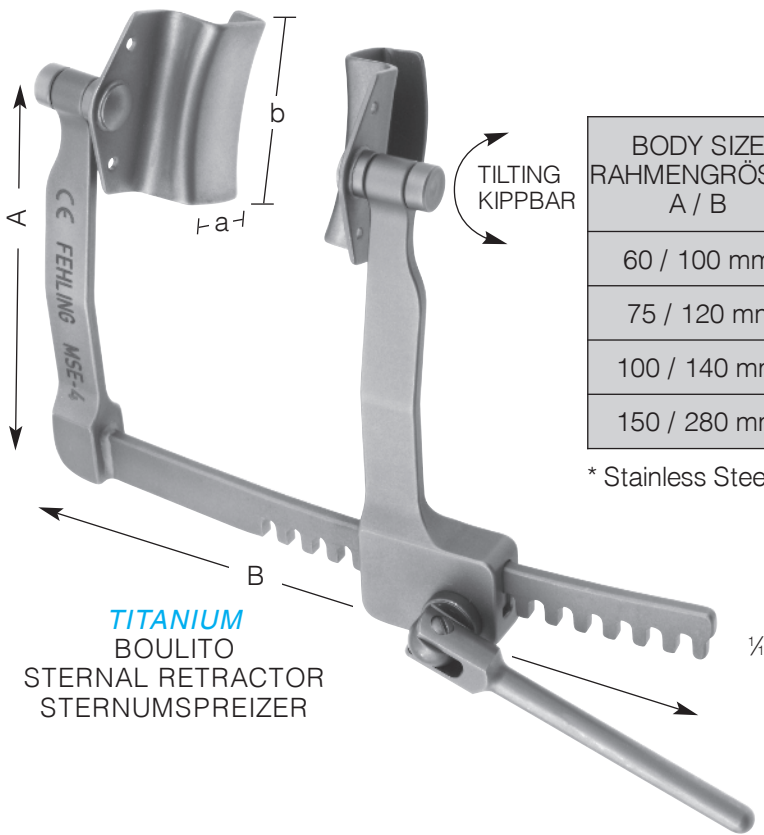


FINOCHIETTO
MINI-RETRACTOR
MINI-SPREIZER
SPREADING WIDTH = 50 mm
SPREIZWEITE = 50 mm
CURVED/GEBOGEN

MBT-3



BLADE SIZE BLATTGRÖSSE a x b	SPREADING WIDTH SPREIZWEITE	
14 x 12 mm	40 mm	MSB-1
14 x 12 mm	65 mm	MSB-2
20 x 15 mm	90 mm	MSB-6
23 x 20 mm	100 mm	MSB-3
20 x 15 mm	110 mm	MSB-7
23 x 20 mm	130 mm	MSB-4
23 x 20 mm	160 mm	MSB-5



BODY SIZE RAHMENGRÖSSE A / B	BLADE SIZE BLATTGRÖSSE a x b	PATIENT WEIGHT KÖRPERGEWICHT	
60 / 100 mm	12 x 25 mm	≤ 5 kg	MSE-4
75 / 120 mm	18 x 35 mm	5 – 15 kg	MSE-5
100 / 140 mm	21 x 55 mm	15 – 30 kg	MSE-6
150 / 280 mm	30 x 100 mm	30 – 60 kg	MSE-9*

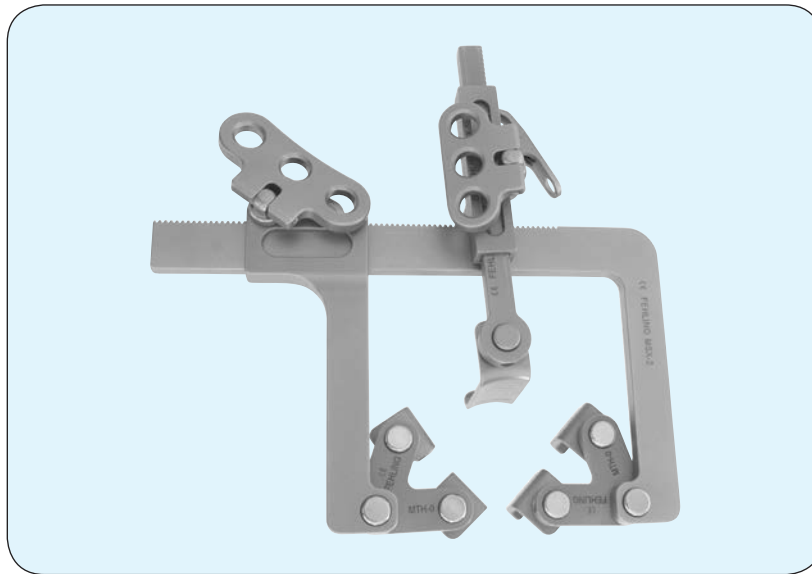
* Stainless Steel / Rostfreier Stahl

TITANIUM
BOULITO
STERNAL RETRACTOR
STERNUMSPREIZER

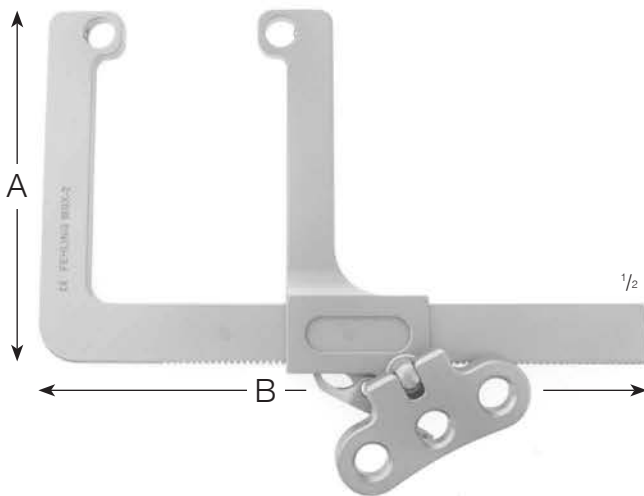


MINI THORACOTOMY RETRACTOR
MINI-THORAKOTOMIESPREIZER
115 mm
MSD-5

V-CUT
TITANIUM



exemplary configuration
Konfigurationsbeispiel



RETRACTOR, BODY
SPERRER, RAHMEN



STANDARD
MSX-5B



RIDER
SCHLITTEN

ANGLE ADJUSTABLE
WINKELVERSTELLBAR
MSX-5C



BLADE GUIDE
HAKENFÜHRUNG

MSX-5A

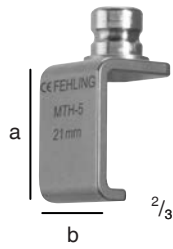


HORKE BLADE SWING
HORKE SCHAUKEL

BLADE SIZE BLATTGRÖSSE A x B	PATIENT WEIGHT KÖRPERGEWICHT	
80 x 130 mm	3 – 7 kg	MSX-1
90 x 150 mm	7 – 15 kg	MSX-2
120 x 200 mm	15 – 40 kg	MSX-3

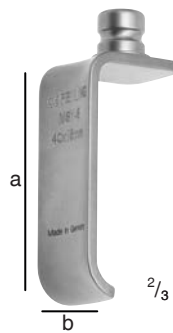
HOLE DISTANCE LOCHABSTAND	
20 mm	MTH-2
25 mm	MTH-0
35 mm	MTH-1

V-CUT
TITANIUM



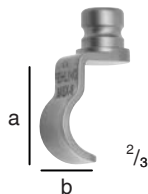
a \ b	15 mm	20 mm
15 mm	MTH-3	MTH-4
21 mm	MTH-5	MTH-6
26 mm	MTH-7	MTH-8

STERNAL BLADE
STERNUMHALTEBLATT



a \ b	15 mm	24 mm
40 mm	MSY-6	MSZ-6
50 mm	MSY-7	MSZ-7
60 mm	MSY-8	MSZ-8
70 mm	MSY-9	MSZ-9

DIAPHRAGM RETRACTOR
ZWERCHFELLHAKEN



a \ b	10 mm
20 mm	MSX-6
30 mm	MSX-7
40 mm	MSX-8

LID RETRACTOR
LIDHAKEN



225 mm
MCE-9



ANDREWS PYNCHON
240 mm

Ø	
3,0 mm	MNO-4
4,2 mm	MNO-5



245 mm
MCE-8

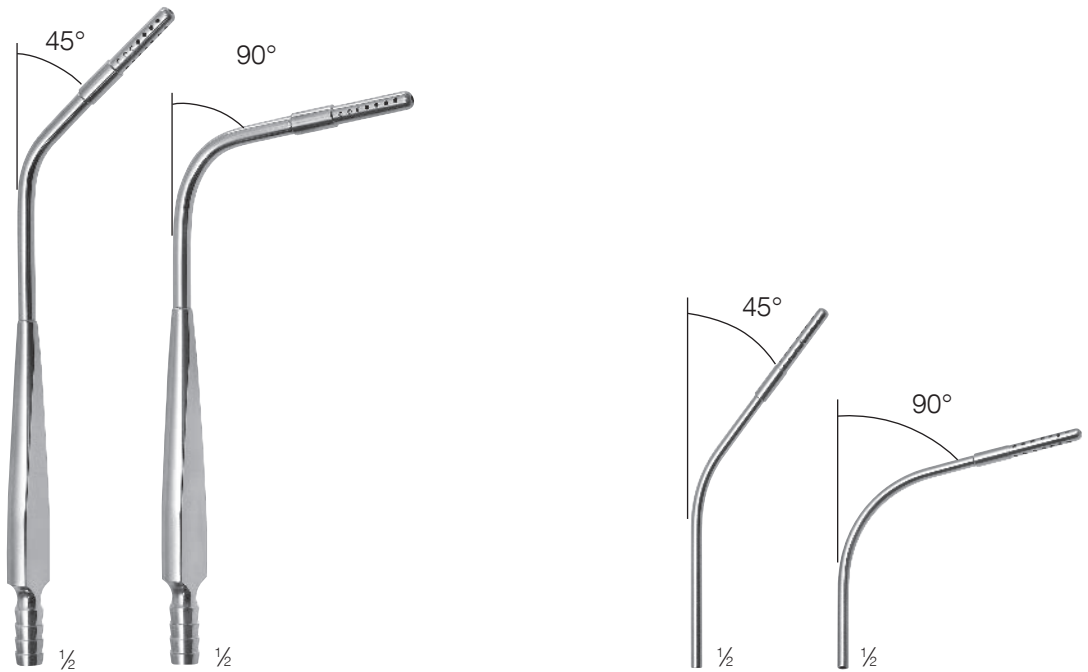


210 mm
MNE-5



SEBENING
180 mm
MNE-8

GRECO

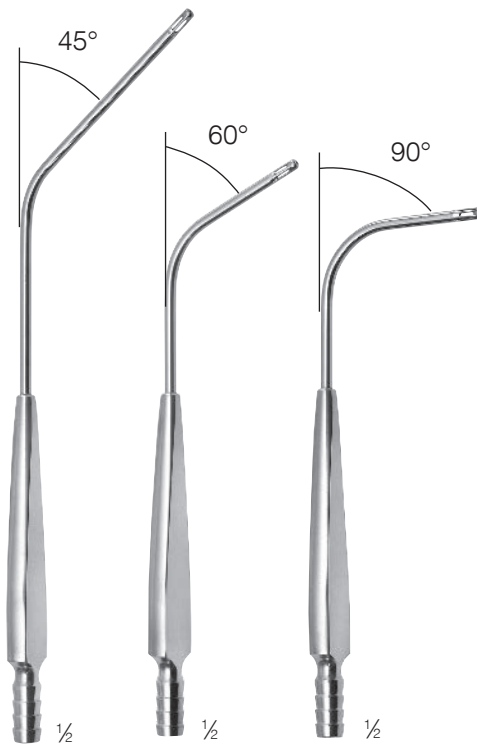


DETACHABLE BASKET / KORB ABNEHMBAR

Ø TUBE / ROHR	180 mm	160 mm
3,3 mm	MNM-1	MNM-2
5,0 mm	MNM-3	MNM-4

DETACHABLE BASKET / KORB ABNEHMBAR

Ø TUBE / ROHR	95 mm	80 mm
3,3 mm	MNM-5	MNM-6
5,0 mm	MNM-7	MNM-8



Ø TUBE / ROHR	210 mm	180 mm	150 mm
3,3 mm	MNL-2	MNL-1	MNL-3
5,0 mm	MNL-5	MNL-4	MNL-6

GRECO



60°

1/2

DETACHABLE BASKET / KORB ABNEHMBAR

Ø TUBE / ROHR	230 mm
6,0 mm	MNL-7



90°

1/2

DETACHABLE BASKET / KORB ABNEHMBAR

Ø TUBE / ROHR	205 mm
6,0 mm	MNL-8



1/4



Ø 7 mm
L 25 mm

MKK-5



Ø 6 mm
L 23 mm

MKN-8

VENTRICLE SUCTION CANNULA
VENTRIKELSAUGER



Ø 2,5 mm

1/4

CARDIOPLEGIA CANNULA
KARDIOPLEGIEKANÜLE
30 mm

MZI-3



Ø OLIVE	
3,0 mm	MSF-0
4,0 mm	MSF-1
4,5 mm	MSF-2
5,0 mm	MSF-3
5,5 mm	MSF-4
6,0 mm	MSF-5
7,0 mm	MSF-6
8,0 mm	MSF-7
9,0 mm	MSF-8
10,0 mm	MSF-9
11,0 mm	MSG-1
12,0 mm	MSG-2
13,0 mm	MSG-3
14,0 mm	MSG-4
15,0 mm	MSG-5
16,0 mm	MSG-6
17,0 mm	MSG-7
18,0 mm	MSG-8
19,0 mm	MSG-9
20,0 mm	MSH-1
21,0 mm	MSH-2
22,0 mm	MSH-3
23,0 mm	MSH-4
24,0 mm	MSH-5
25,0 mm	MSH-6
26,0 mm	MSH-7
27,0 mm	MSH-8
28,0 mm	MSH-9

BOULITO SUPERPLAST
TUBULAR PROBE
TUBULARSONDE
180 mm

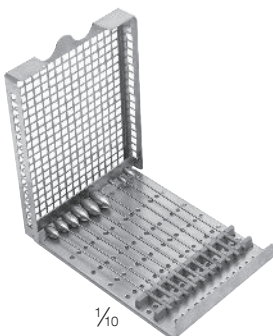


SIZE GRÖSSE	
2/7 mm	MSJ-1
3/8 mm	MSJ-2
4/9 mm	MSJ-3

ZIEMER SUPERLAST
PROBE
SONDE
180 mm

SUPERPLAST instruments are made of shape-memory metal. This metal has unique qualities under different thermal conditions. The instruments are malleable in normal OR temperatures. Soft pressure allows "permanent" deformation of shape according to the surgeon's needs. However in higher temperature, such as those found in the autoclave, the instruments regain their initial shape.

SUPERPLAST Instrumente sind aus Metall mit Formgedächtnis. Sie bieten verschiedene Eigenschaften je nach thermischen Bedingungen. Sie sind bei normaler OP-Temperatur biegsam und können durch sanften Druck in die gewünschte Form gebracht werden. Unter höheren Temperaturen, wie bei der Sterilisation, nehmen sie ihre ursprüngliche Form wieder an.



**STORAGE AND STERILIZATION TRAY
FOR BOULITO PROBES
STERILISIER- UND LAGERSIEB
FÜR BOULITO-SONDEN**

max. OLIVE Ø 17 mm 160 x 210 x 26 mm	MSG-0
max. OLIVE Ø 22 mm 160 x 210 x 30 mm	MSH-0

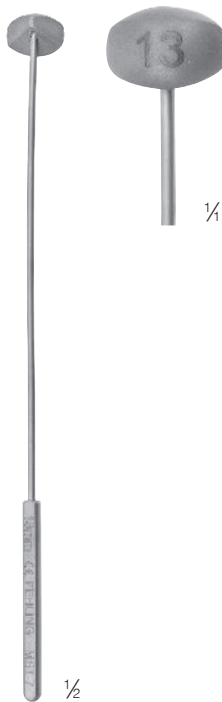


CHORDAE GAUGE AND
KNOT ASSISTANT
CHORDAE-LEHRE UND
KNOTENASSISTENT
200 mm
MNV-9



CERAMO® BOULITO RONDO
MICRO VALVE FORCEPS
MIKRO KLAPPENPINZETTE

	180 mm	210 mm	230 mm
1,0 mm	COS-0	-	-
1,5 mm	COS-7	COS-8	COR-0



BOULITO SUPERPLAST
3D GAUGE FOR AV-RECONSTRUCTION
3D LEHRE FÜR AK-REKONSTRUKTION
190 mm

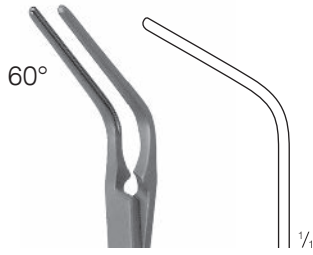
Ø ANULUS	
8 mm	MST-2
9 mm	MST-3
10 mm	MST-4
11 mm	MST-5
12 mm	MST-6
13 mm	MST-7
14 mm	MST-8
15 mm	MST-9
16 mm	MSU-0
17 mm	MSU-1
18 mm	MSU-2
19 mm	MSU-3
20 mm	MSU-4
21 mm	MSU-5
22 mm	MSU-6
23 mm	MSU-7
24 mm	MSU-8
25 mm	MSU-9



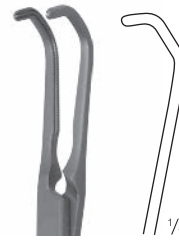
STERILIZATION TRAY FOR
BOULITO SUPERPLAST 3D-GAUGE
STERILISATIONSTRAY FÜR
BOULITO SUPERPLAST 3D-LEHRE

MST-0

TITANIUM



MHN-1



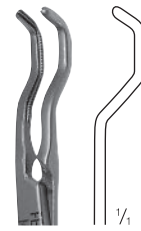
MHN-2



MHN-9



DEBAKEY
105mm
1/2



MHN-3



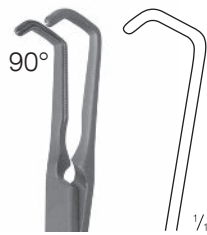
DEBAKEY
105mm
1/2



MHN-4



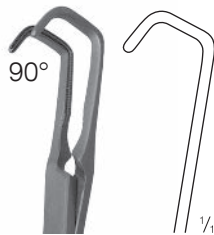
DEBAKEY
105mm
1/2



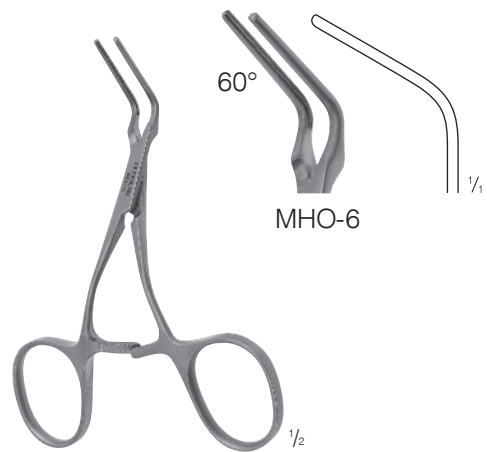
MHO-3



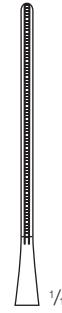
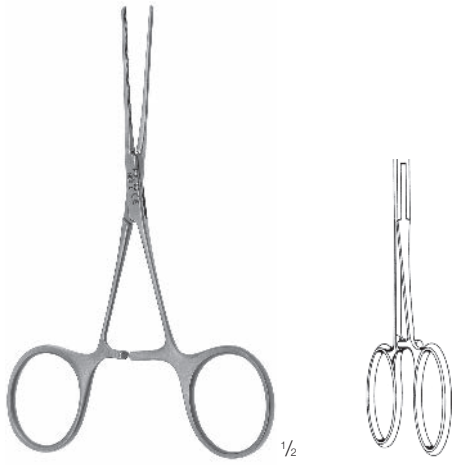
SEBENING
105mm
1/2



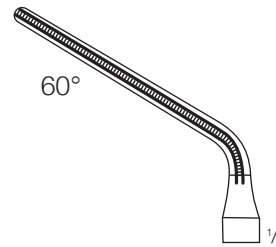
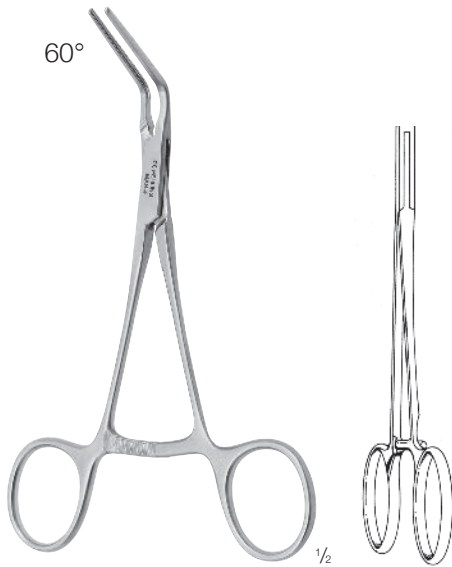
MHO-4



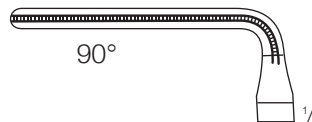
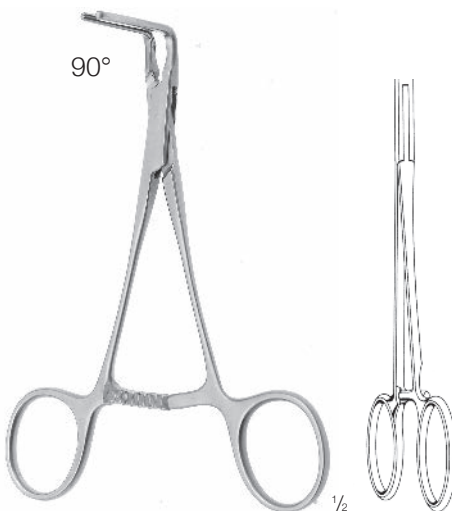
SEBENING
105mm
1/2



125 mm	145 mm	165 mm
MAC-2	MAE-7	MAH-2
MER-4	MDV-9	MER-5

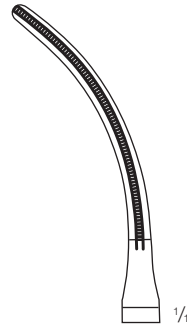


125 mm	145 mm	165 mm
MAC-4	MAE-9	MAH-4
MER-8	MDW-2	MER-9

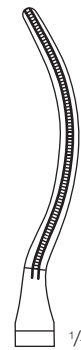


125 mm	145 mm	165 mm
MAC-5	MAF-1	MAH-5
MES-1	MES-2	MES-3

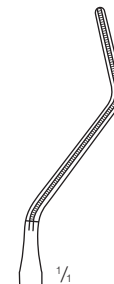
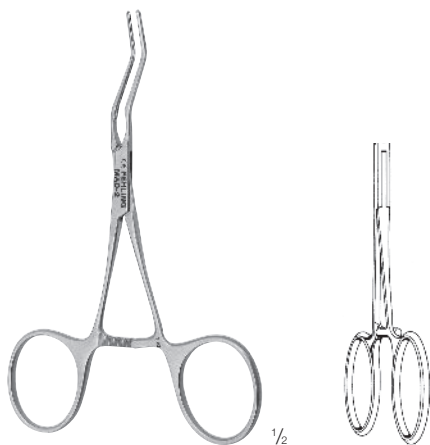
TITANIUM
TITAN



125 mm	145 mm	165 mm
MAD-1	MAF-6	MAJ-1
MET-4	MET-5	MET-6

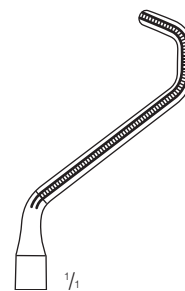


125 mm	145 mm	165 mm
MAC-9	MAF-5	MAH-9
MDT-8	MDU-2	MDU-5

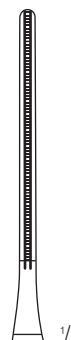


125 mm	145 mm	165 mm
MAD-2	MAF-7	MAJ-2
MET-7	MET-8	MET-9

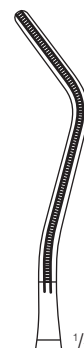
TITANIUM
TITAN



125 mm	145 mm	165 mm
MAC-8	MAF-4	MAH-8
MET-1	MET-2	

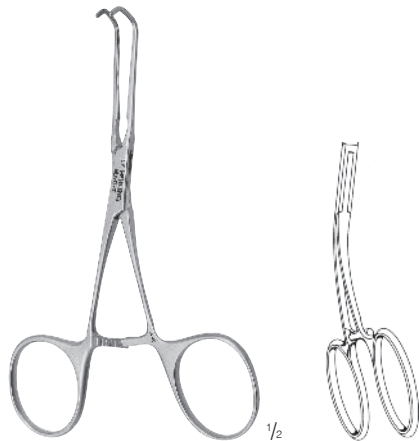


125 mm	145 mm	165 mm
MAD-3	MAF-8	MAJ-3
MEU-1	MEU-2	MEU-3

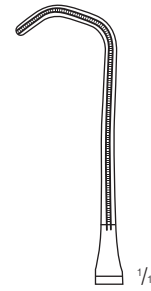


125 mm	145 mm	165 mm
MAC-6	MAF-2	MAH-6
MES-4	MES-5	MES-6

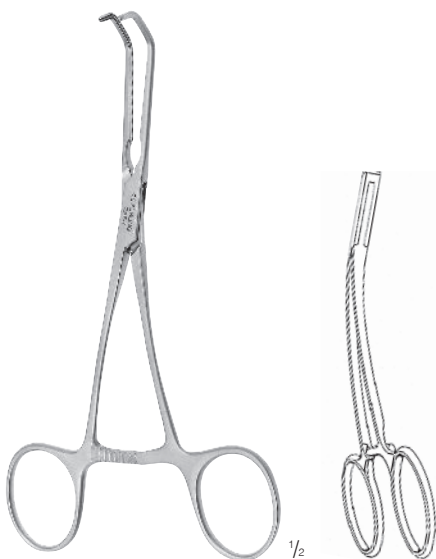
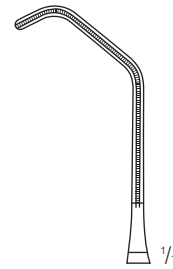
TITANIUM
TITAN



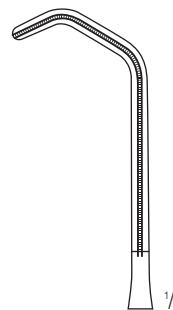
125 mm	145 mm	165 mm
MAC-7	MAF-3	MAH-7
MES-7	MES-8	MES-9



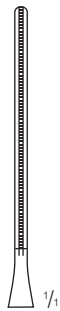
125 mm	145 mm	165 mm
MAD-9	MAG-5	MAJ-9
MEU-9	MEV-1	MEV-2



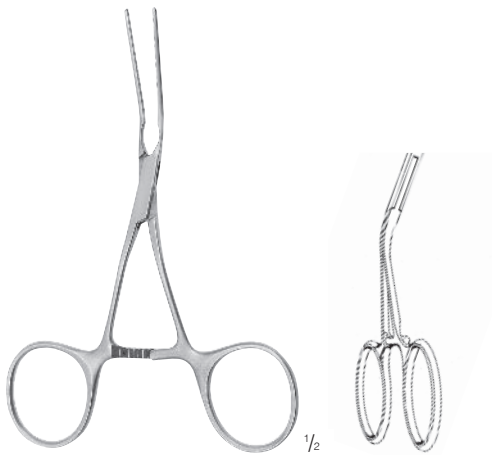
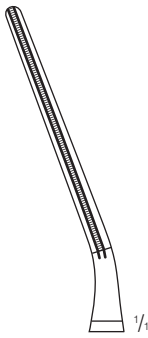
125 mm	145 mm	165 mm
ZAE-6	ZAF-7	ZAF-4



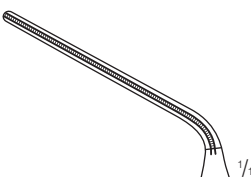
TITANIUM
TITAN

125 mm	145 mm	165 mm
MAC-3	MAE-8	MAH-3
MER-6	MDW-1	MER-7

125 mm	145 mm	165 mm
MAD-4	MAF-9	MAJ-4
MEU-4	MEU-5	MFA-1

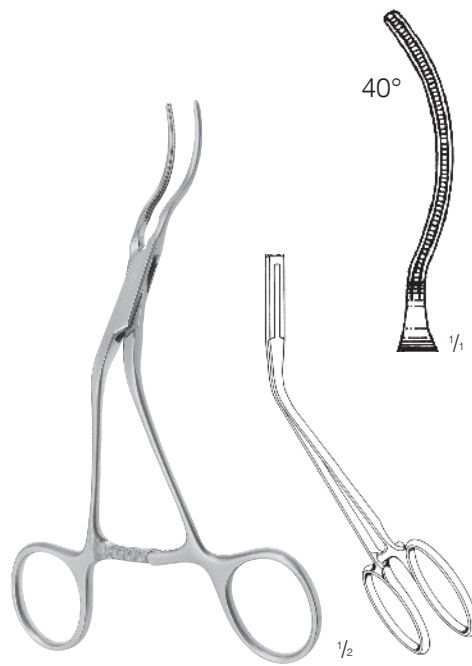
125 mm	145 mm	165 mm
MAE-3	MAG-8	MAK-3
MEV-3	MEV-4	MDW-5

TITANIUM
TITAN

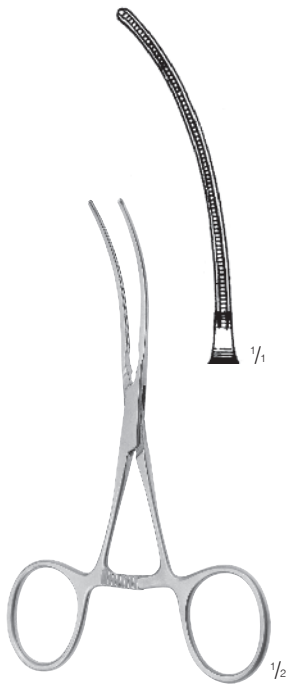


125 mm	145 mm	165 mm
MAD-6	MAG-2	MAJ-6
MEU-6		

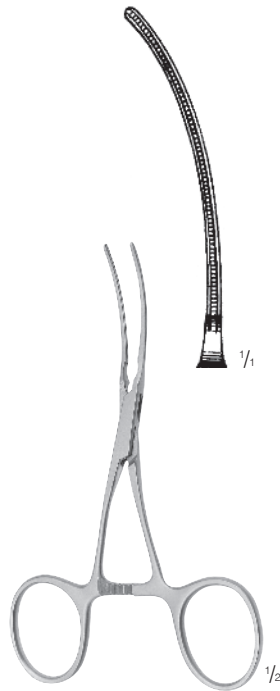
TITANIUM
TITAN



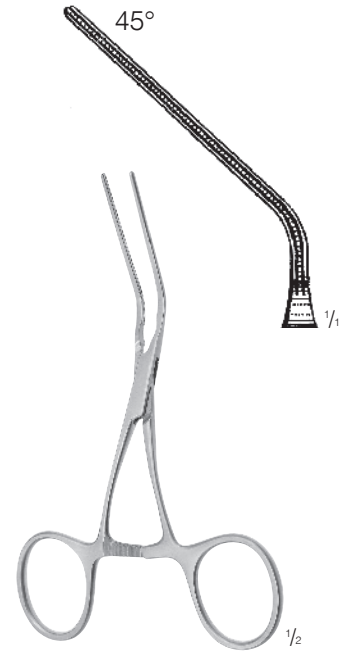
155 mm
MAH-0



130 mm
MAE-4



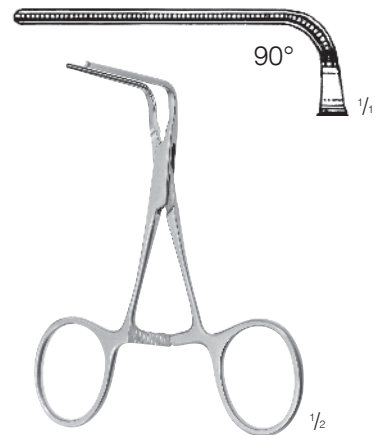
130 mm
MAE-6



130 mm
MAE-5



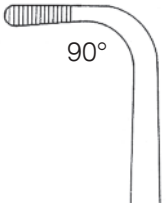
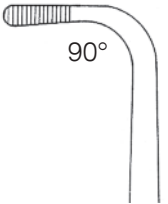


TITANIUM
175 mm
MDU-7



DE BAKEY
100 mm
MED-9



 1/1	 1/1	 90° 1/1	 90° 1/1
180 mm	210 mm	170 mm	200 mm
DAY-7	DAY-9	DAY-6	DAY-8

